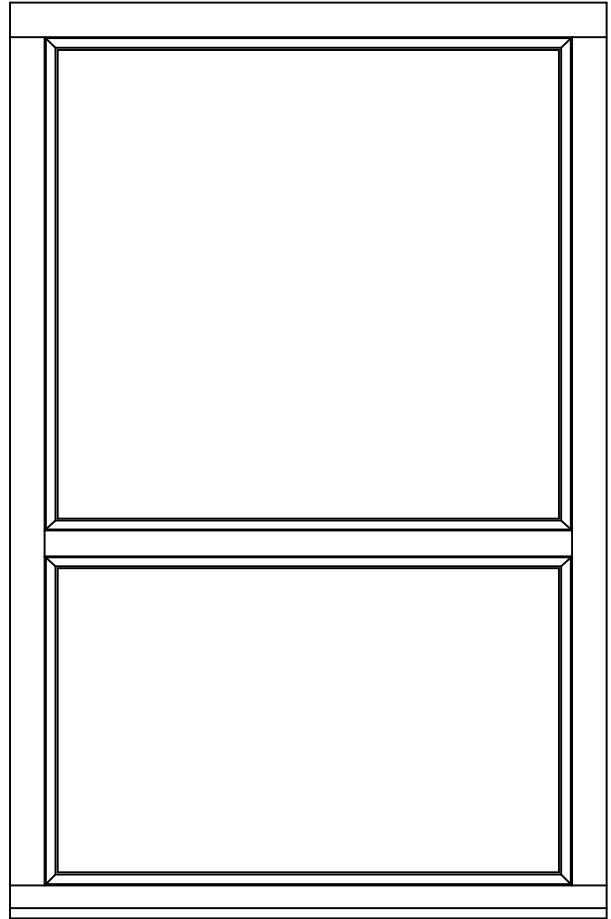
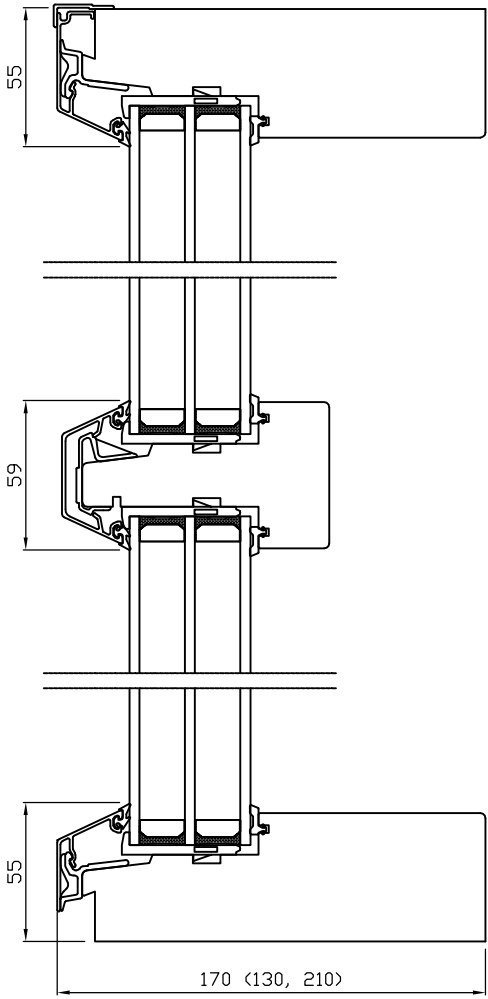


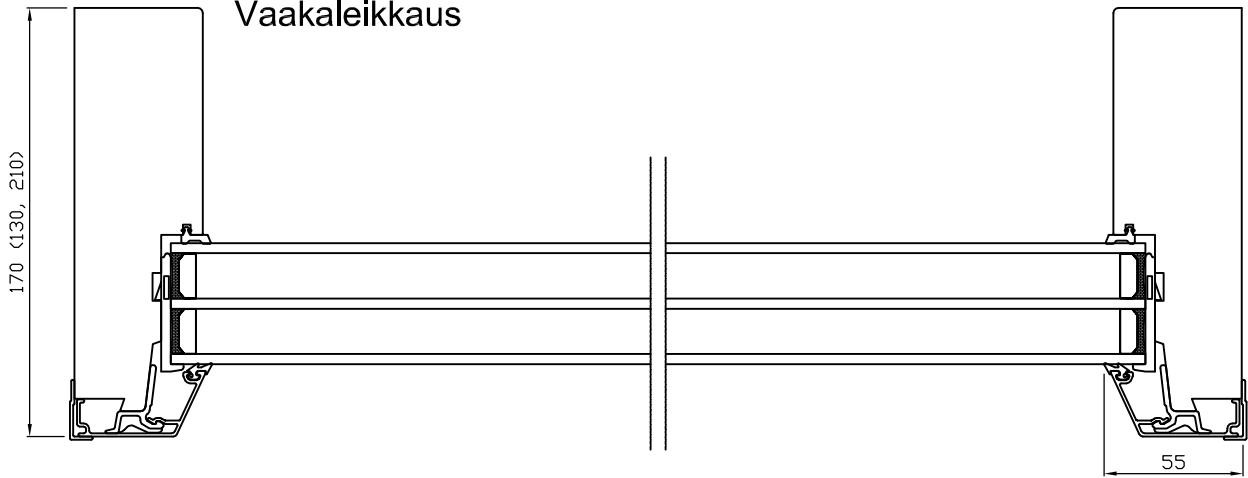
We reserve all rights in this document and in the information contained therein. Reproduction, use or disclosure to third parties without express authority is strictly forbidden. INWIDD

Rev	Description	Rev. by	Date
-----	-------------	---------	------

Pystyleikkaus



Vaakaleikkaus



PihlaPRO

Product Category

Window

MEK-A
Rakennepiirustus
F-malli

Product Type

MEK

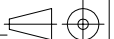
Designed by

JR

Designed date

22.2.2018

View orientation



Approved by

Approved date

Scale

1:3

Drawing Number

Revision

(A)