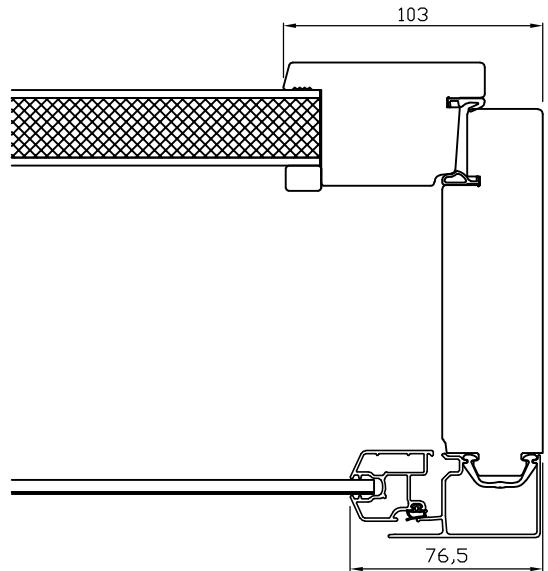
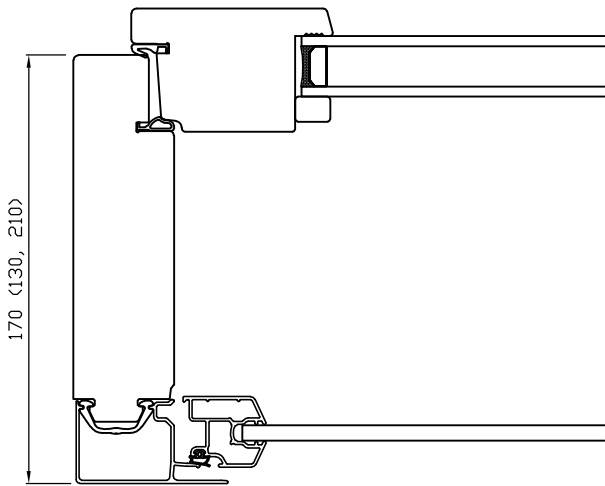
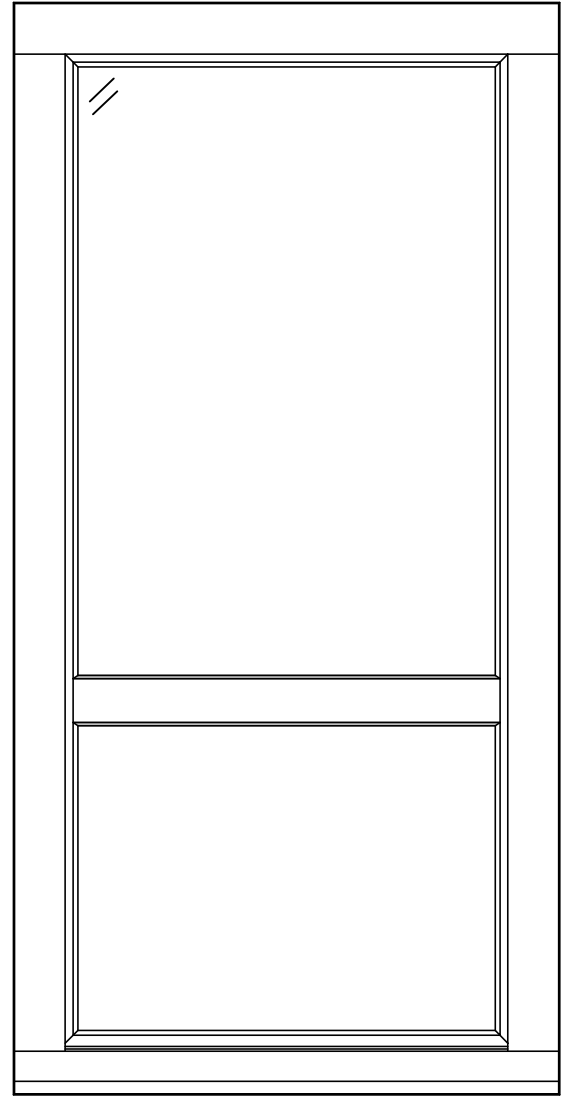
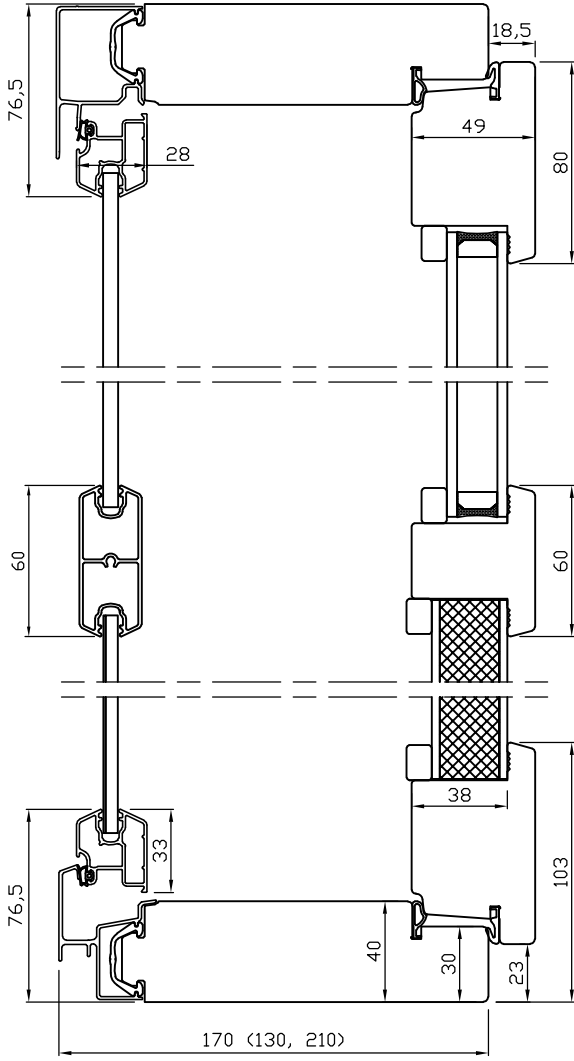


We reserve all rights in this document and in the information contained therein. Reproduction, use or disclosure to third parties without express authority is strictly forbidden. INWIDD

| Rev | Description | Rev. by | Date |
|-----|-------------|---------|------|
|-----|-------------|---------|------|

Pystyleikkaus



Vaakaleikkaus lasiosa

Vaakaleikkaus eristeosa



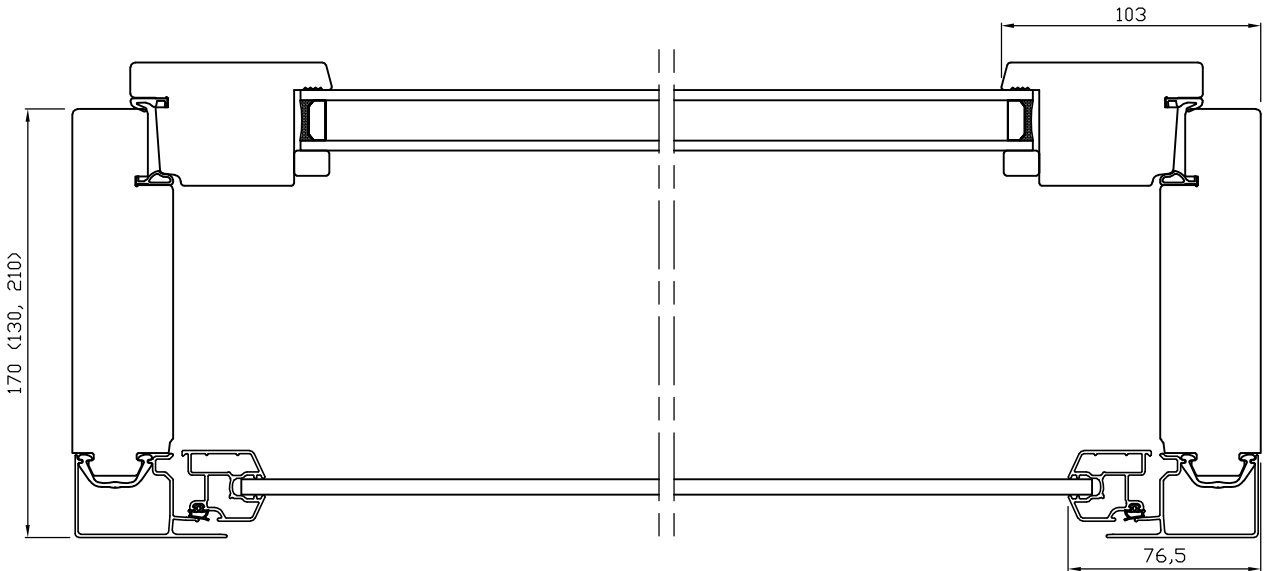
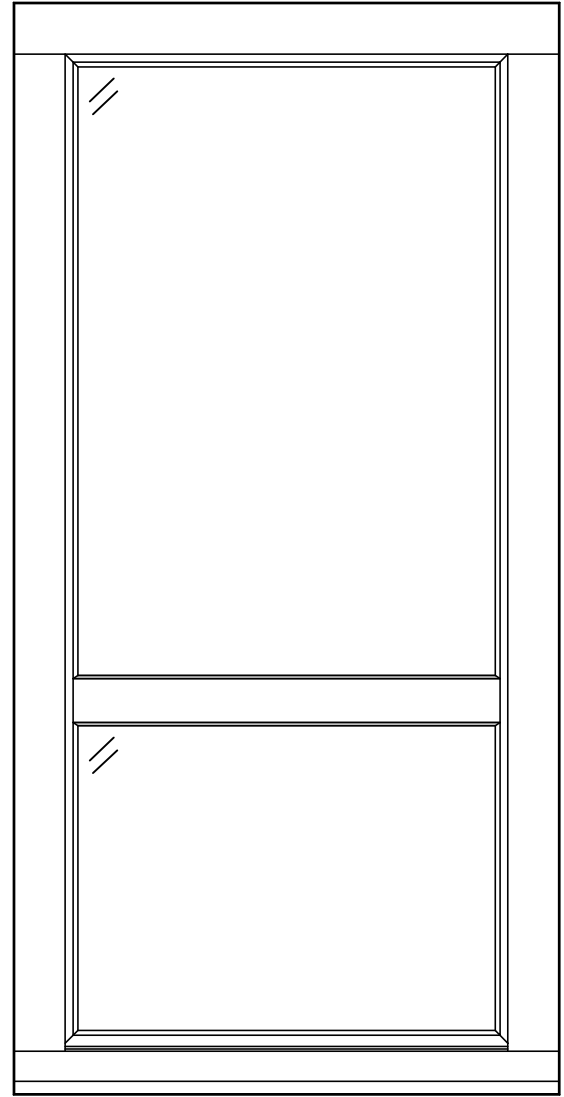
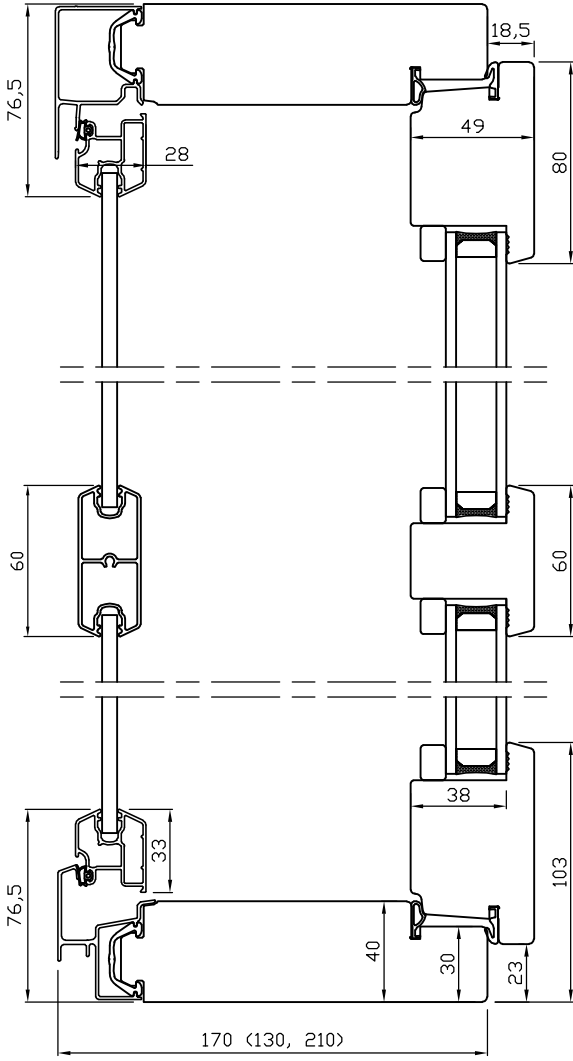
Product Category
Window
MSE1-A/20-RA
Umpiosalla

| | | |
|---------------------|----------------------------|----------------------|
| Product Type MSE | | View orientation |
| Designed by JR | Designed date 6.10.2020 | Scale 1:3 |
| Approved by | Approved date | Revision (A) |
| Drawing Number | | |

We reserve all rights in this document and in the information contained therein. Reproduction, use or disclosure to third parties without express authority is strictly forbidden. INWIDD

| Rev | Description | Rev. by | Date |
|-----|-------------|---------|------|
|-----|-------------|---------|------|

Pystyleikkaus



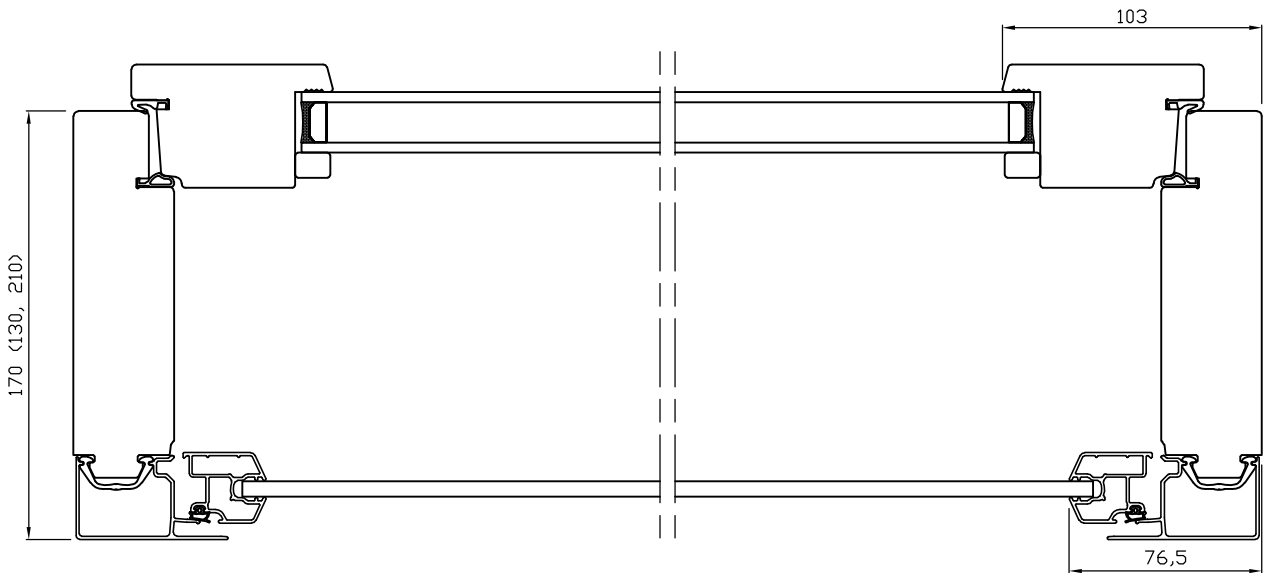
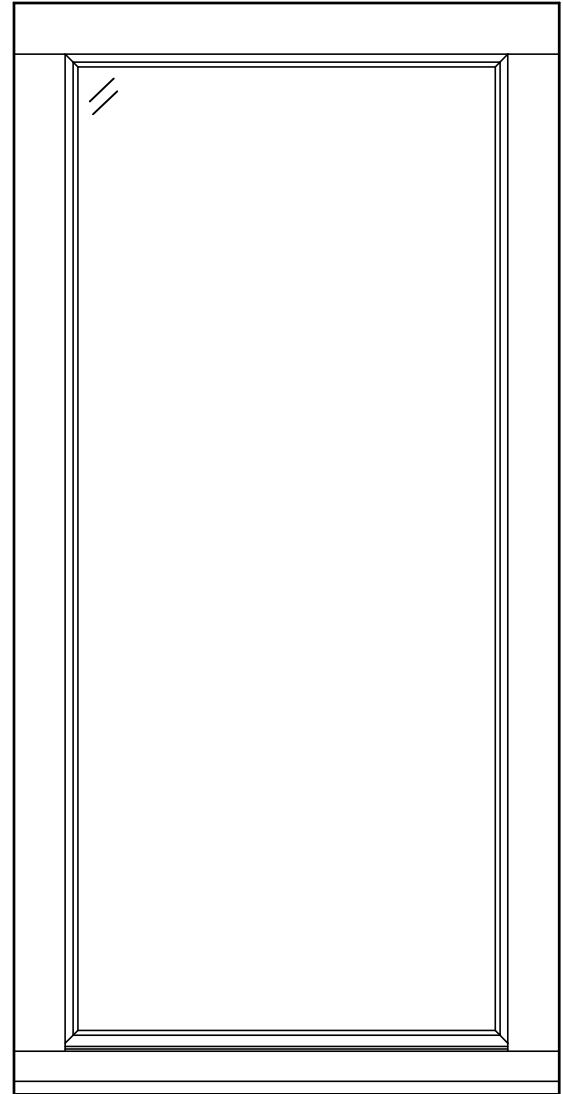
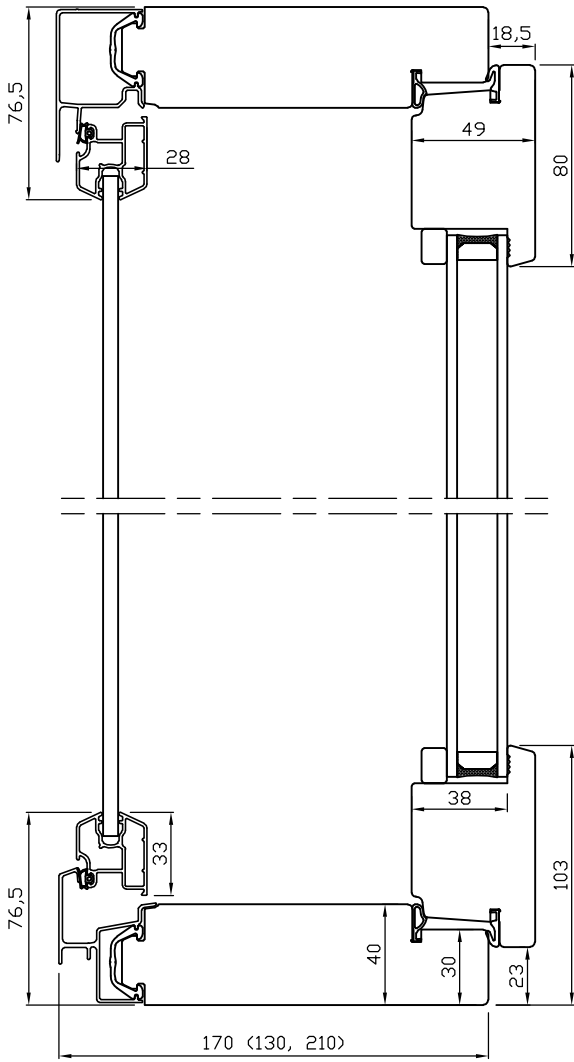
Vaakaleikkaus

| | | | | | |
|---|------------------|----------------|---------------|---------------|---|
|  | Product Category | | Product Type | | |
| | Window | | MSE | | |
| | MSE1-A/20-RA | | Designed by | Designed date | View orientation |
| | Kaksilasinen | | JR | 6.10.2020 |  |
| | | Approved by | Approved date | Scale | |
| | | | | 1:3 | |
| | | Drawing Number | | Revision | |
| | | | | (A) | |

We reserve all rights in this document and in the information contained therein. Reproduction, use or disclosure to third parties without express authority is strictly forbidden. INWIDD

| Rev | Description | Rev. by | Date |
|-----|-------------|---------|------|
|-----|-------------|---------|------|

Pystyleikkaus



Vaakaleikkaus

| | | | | | |
|--|------------------|----------------|---------------|---------------|------------------|
| | Product Category | | Product Type | | |
| | Window | | MSE | | |
| | MSE1-A/20-RA | | Designed by | Designed date | View orientation |
| | Kokolasinen | | JR | 6.10.2020 | |
| | | Approved by | Approved date | Scale | |
| | | | | 1:3 | |
| | | Drawing Number | Revision | | |
| | | | (A) | | |