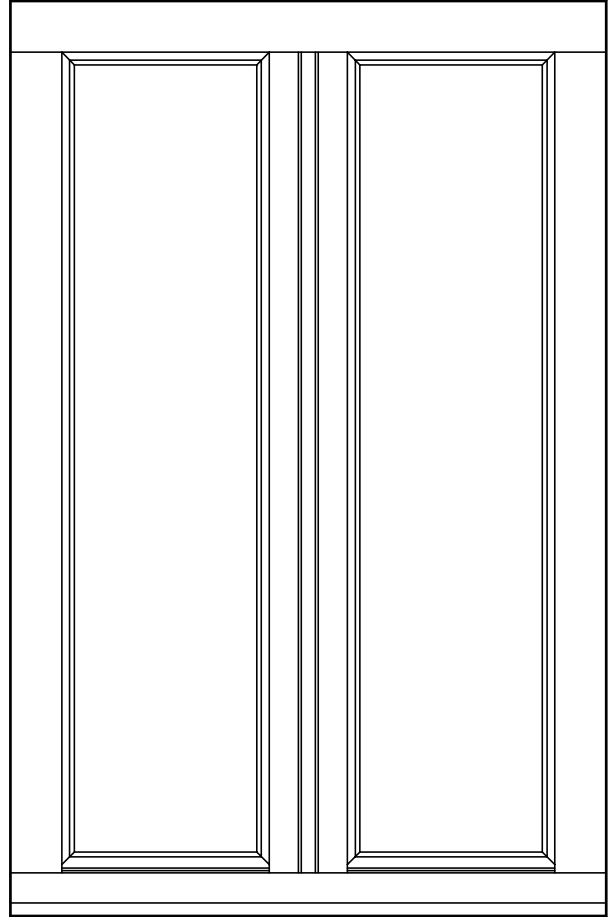
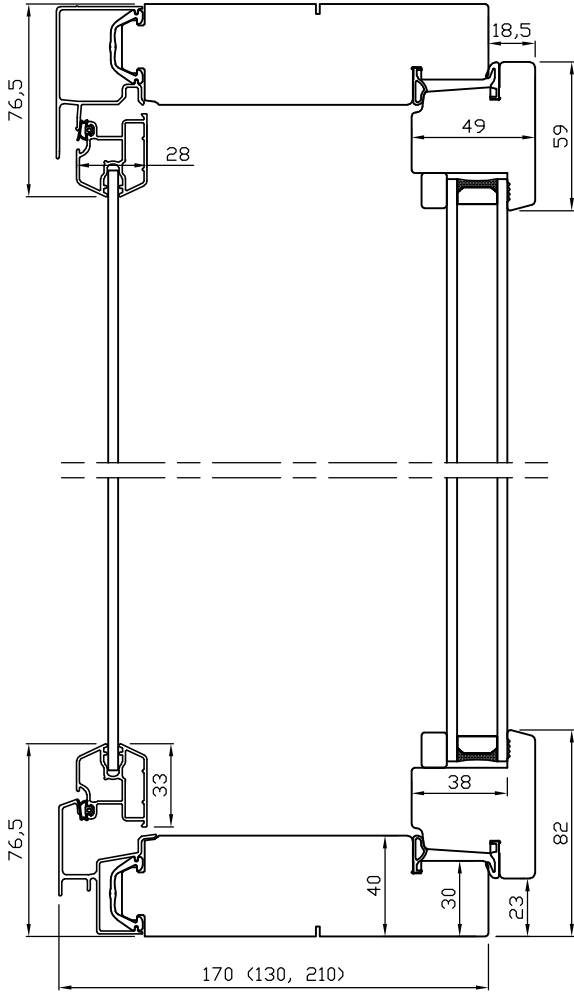


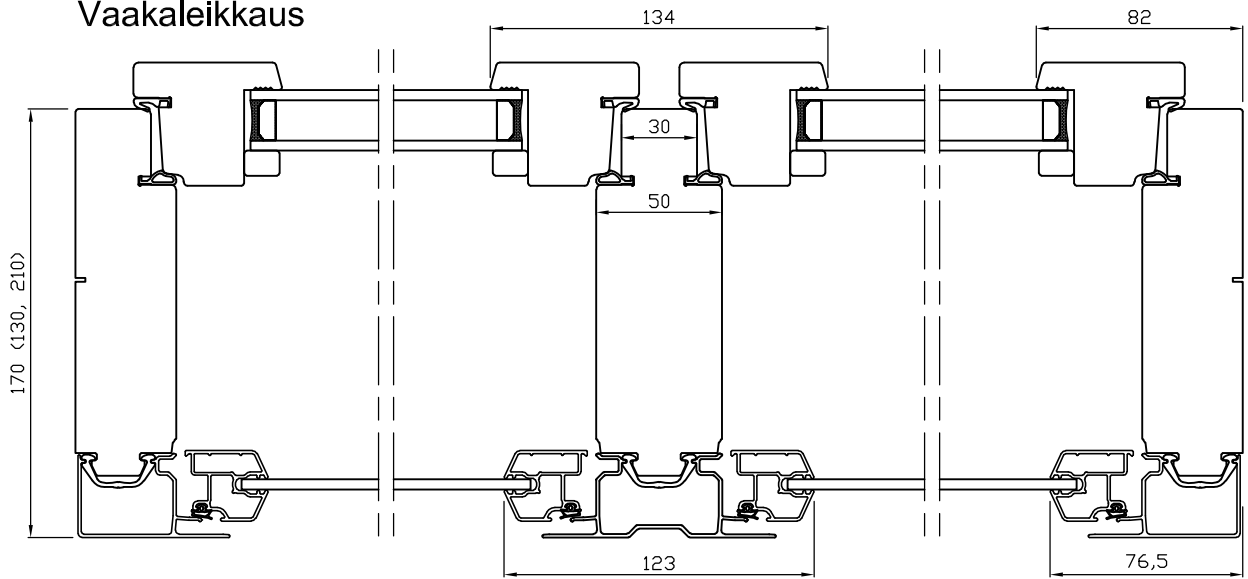
We reserve all rights in this document and in the information contained therein. Reproduction, use or disclosure to third parties without express authority is strictly forbidden. INWIDD

Rev	Description	Rev. by	Date
-----	-------------	---------	------

Pystyleikkaus



Vaakaleikkaus



PihlaPRO

Product Category

Window

MSE1-A/20

B-malli

Product Type

MSE

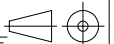
Designed by

JR

Designed date

25.5.2020

View orientation



Approved by

Approved date

Scale

1:3

Drawing Number

Revision

(A)