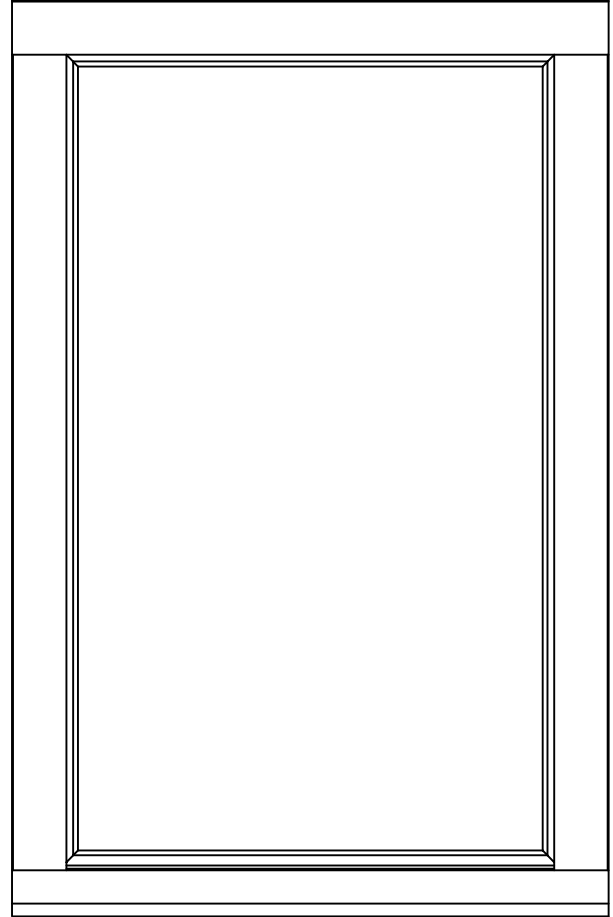
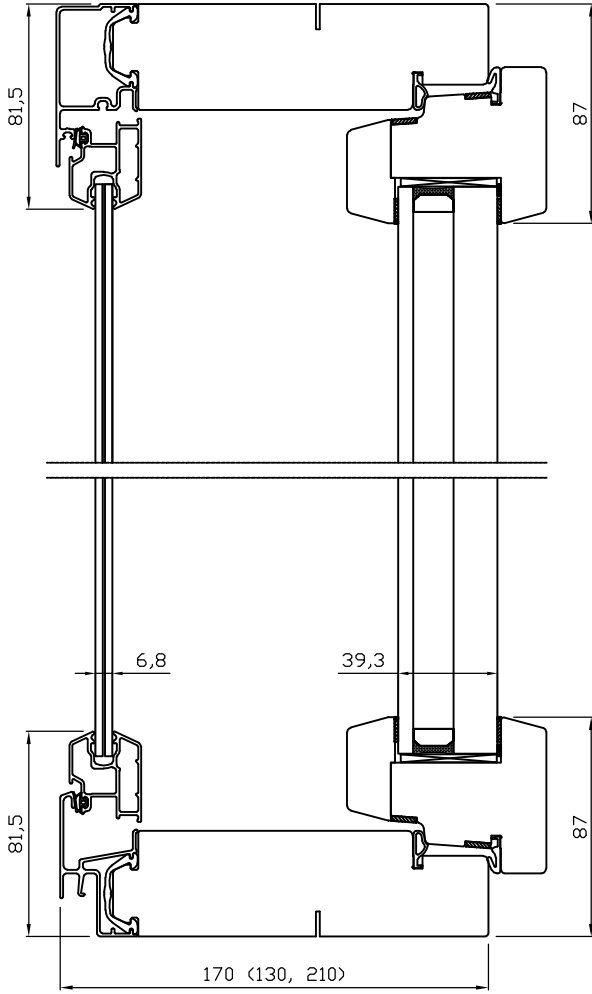


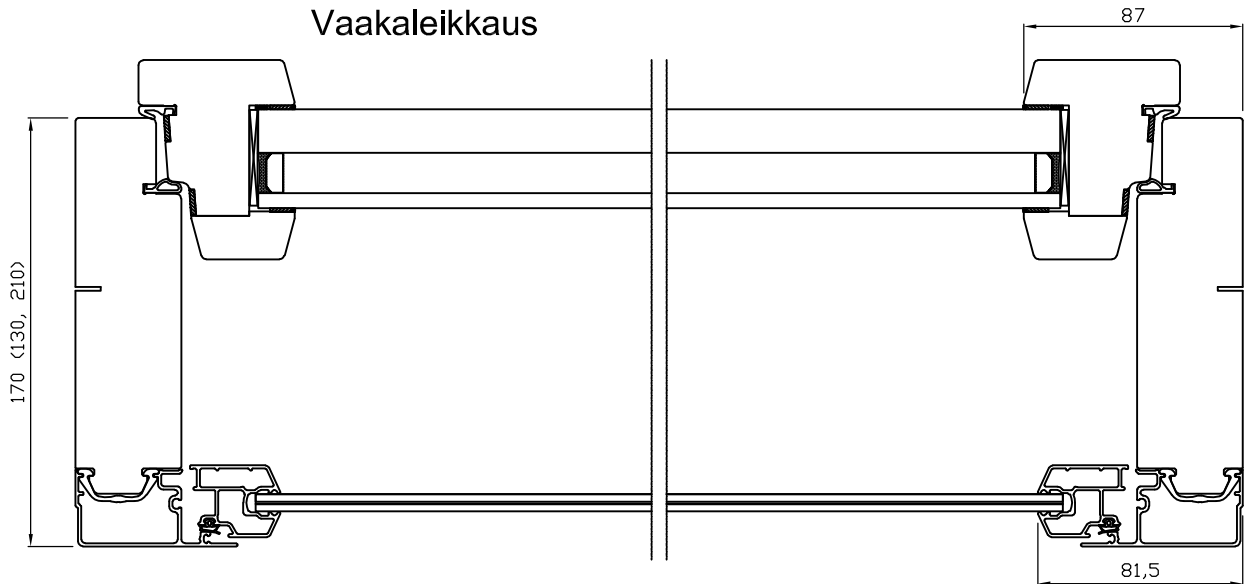
We reserve all rights in this document and in the information contained therein. Reproduction, use or disclosure to third parties without express authority is strictly forbidden. INWIDD

Rev	Description	Rev. by	Date
-----	-------------	---------	------

### Pystyleikkaus



### Vaakaleikkaus



**Pihla**PRO

Product Category  
Window

MSE1-A EI30 2019  
Rakennepiirustus  
A-malli

Product Type MSE		View orientation
Designed by JR	Designed date 2.10.2019	
Approved by	Approved date	Scale 1:3
Drawing Number	Revision (A)	